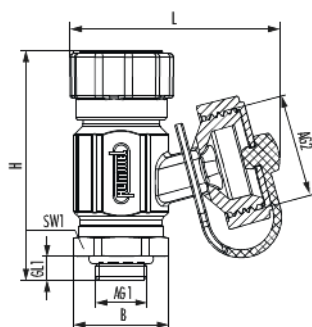


# SFE Outflow valves drinking water

Item number 2705140000



## Technical data

Connection size 1 (AG1)	G 1/4
Connection size 2 (AG2)	G 3/4
Connection type 1 (AT1)	External thread
Connection type 2 (AT2)	Hose connection
Length (L)	53.2 mm
Width (B)	24.2 mm
Height (H)	58.3 mm
Thread Length 1 (GL1)	6 mm
Wrench size 1 (SW1)	22 mm
Colour	black
Material moulded seal	EPDM
Material plastic cap	PA
Material body/spindle	Brass blank
Material retaining strap	PE
Material spindle	Brass blank

# SFE Outflow valves drinking water

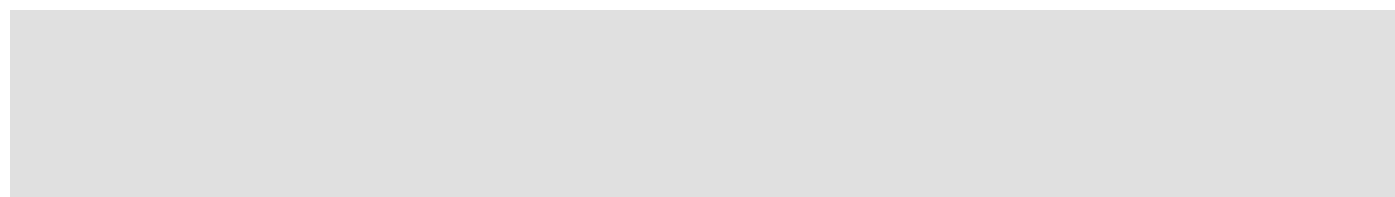
Item number 2705140000

<b>Material</b>	Brass blank
<b>Max. operating pressure</b>	10 bar
<b>Max. operating temperature heating</b>	90 °C

## Commercial data

<b>Packaging Unit</b>	10
<b>EAN code</b>	4033878011355
<b>Weight</b>	0.08118 kg
<b>ETIM 7</b>	EC010071
<b>ETIM 8</b>	EC010071
<b>ETIM 9</b>	EC010071
<b>eCl@ss 10.1</b>	22-39-04-11
<b>Customs tariff number</b>	84818039

Note:



# SFE Outflow valves drinking water

Item number 2705140000