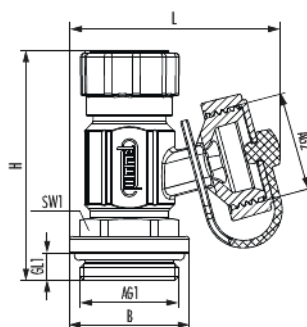


SFE Outflow valves heating

Item number 2705340001



Technical data

Connection size 1 (AG1)	G 3/4
Connection size 2 (AG2)	G 3/4
Connection type 1 (AT1)	External thread
Connection type 2 (AT2)	Hose connection
Length (L)	56.2 mm
Width (B)	32 mm
Height (H)	61.3 mm
Thread Length 1 (GL1)	7.3 mm
Wrench size 1 (SW1)	24 mm
Colour	black
Material moulded seal	EPDM
Material plastic cap	PA
Material body/spindle	Nickel-plated brass
Material retaining strap	PE
Material spindle	Nickel-plated brass

SFE Outflow valves heating

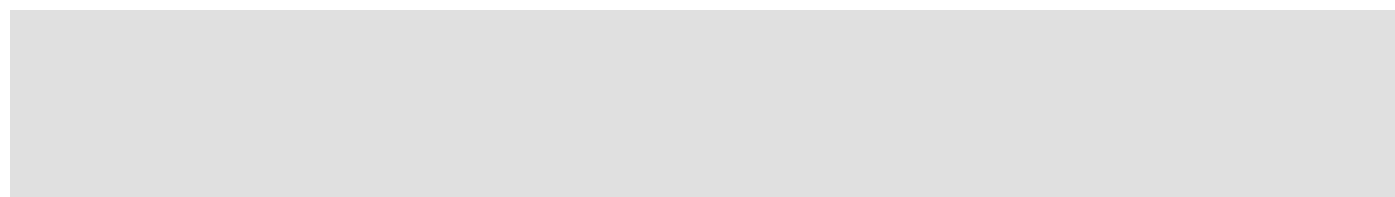
Item number 2705340001

Material	Nickel-plated brass
Max. operating pressure	10 bar
Max. operating temperature heating	90 °C

Commercial data

Packaging Unit	10
EAN code	4033878011423
Weight	0.09008 kg
ETIM 7	EC010071
ETIM 8	EC010071
ETIM 9	EC010071
eCl@ss 10.1	22-39-04-11
Customs tariff number	84818039

Note:



SFE Outflow valves heating

Item number 2705340001