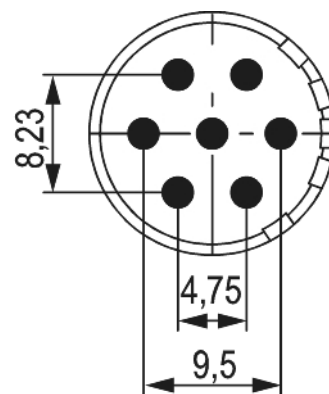
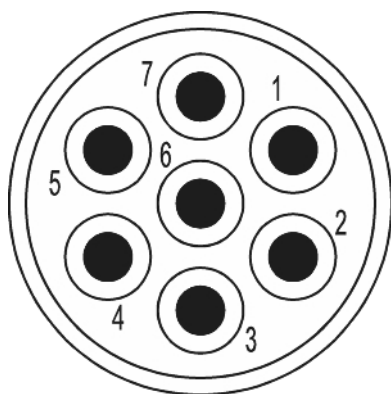


# Contact insert M23 Signal - 7-pole (solder in)

Item number 7001907127



## Technical data

Characteristic of connection	PCB assembly
Number of poles	7
Pole picture	7
	Pinout clockwise
Dip solder contacts length	10 mm
Insert	Pin
Color contact insert	white
Material insulating body	PA 6 , PBT
Number of contacts signal	7
Contact-Ø signal	2 mm
Nominal current signal	20 A
Nominal voltage at degree of pollution 3 signal	300 V~
Test voltage signal	840 V~
Insulation resistance signal	> 10 <sup>8</sup>
max. contact resistance signal	3 mOhm



# Contact insert M23 Signal - 7-pole (solder in)

Item number 7001907127

max. contact resistance power	3 mOhm
Temperature range	-40 °C to +125 °C
Degree of Protection	3
Flammability	V-0 (UL 94)



# Contact insert M23 Signal - 7-pole (solder in)

Item number 7001907127

## Commercial data

Packaging Unit	25
EAN code	4033878500361
Weight	0.00246 kg
ETIM 7	EC003557
ETIM 8	EC003557
ETIM 9	EC003557
eCl@ss 10.1	27440223
Customs tariff number	85369010

Note:

