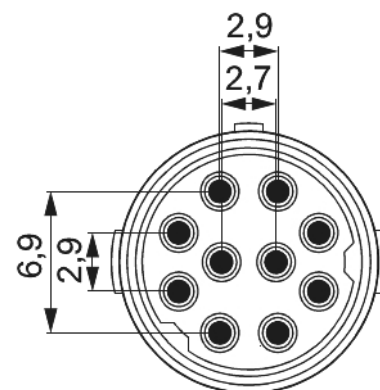
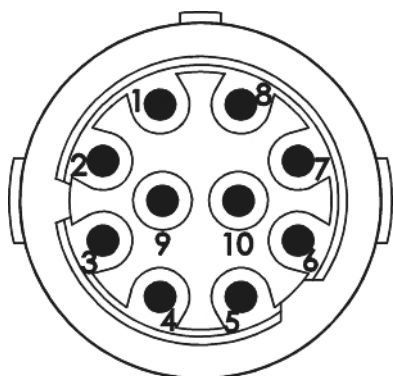


# Contact insert M16 - 10-pole (solder in)

Item number 7001910108



## Technical data

Characteristic of connection	PCB assembly
Number of poles	10
Pole picture	10
Dip solder contacts length	10 mm
Insert	Socket
Color contact insert	white
Material insulating body	PA 6 , PBT
Number of contacts signal	10
Contact-Ø signal	1 mm
Nominal current signal	8 A
Nominal voltage at degree of pollution 3 signal	40 V~
Test voltage signal	500 V~
Insulation resistance signal	> 10 <sup>8</sup>
max. contact resistance signal	3 mOhm
Temperature range	-40°C to +125°C



# Contact insert M16 - 10-pole (solder in)

Item number 7001910108

Degree of Protection	3
Flammability	V-0 (UL 94)



# Contact insert M16 - 10-pole (solder in)

Item number 7001910108

## Commercial data

Packaging Unit	25
EAN code	4033878500385
Weight	0.00366 kg
ETIM 7	EC003557
ETIM 8	EC003557
ETIM 9	EC003557
eCl@ss 10.1	27440223
Customs tariff number	85366930

Note:

