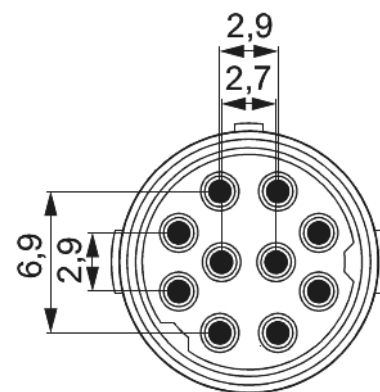
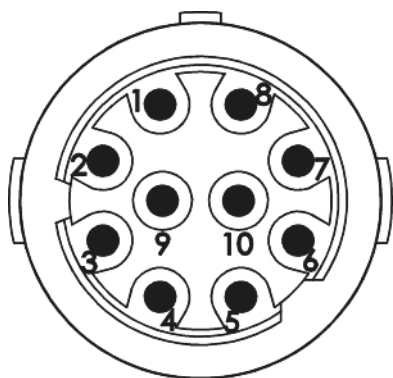


Contact insert M16 - 10-pole (solder in)

Item number 7001910118



Technical data

Characteristic of connection	PCB assembly
Number of poles	10
Pole picture	10
Dip solder contacts length	17 mm
Insert	Socket
Color contact insert	white
Material insulating body	PA 6 , PBT
Number of contacts signal	10
Contact-Ø signal	1 mm
Nominal current signal	8 A
Nominal voltage at degree of pollution 3 signal	40 V~
Test voltage signal	500 V~
Insulation resistance signal	> 10 ⁸
max. contact resistance signal	3 mOhm
Temperature range	-40°C to +125°C

Contact insert M16 - 10-pole (solder in)

Item number 7001910118

Degree of Protection	3
Flammability	V-0 (UL 94)

Contact insert M16 - 10-pole (solder in)

Item number 7001910118

Commercial data

Packaging Unit	25
EAN code	4033878500392
Weight	0.0086 kg
ETIM 7	EC003557
ETIM 8	EC003557
ETIM 9	EC003557
eCl@ss 10.1	27440223
Customs tariff number	85366930

Note:

