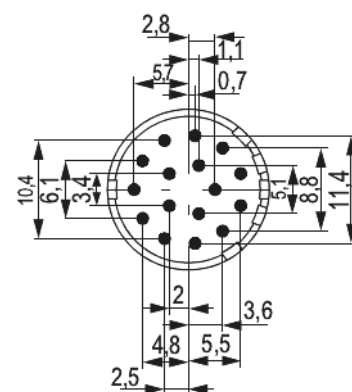
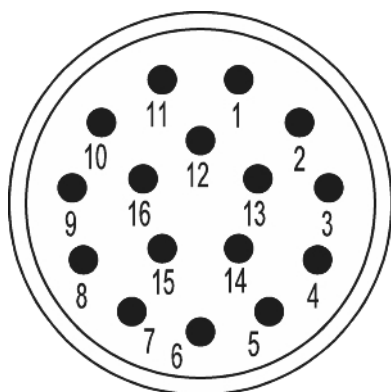


# Contact insert M23 Signal - 16-pole (solder in)

Item number 7001916127



## Technical data

Characteristic of connection	PCB assembly
Number of poles	16
Pole picture	16
	Pinout clockwise
Dip solder contacts length	10 mm
Insert	Pin
Color contact insert	white
Material insulating body	PA 6 , PBT
Number of contacts signal	16
Contact-Ø signal	1 mm
Nominal current signal	8 A
Nominal voltage at degree of pollution 3 signal	160 V~
Test voltage signal	500 V~
Insulation resistance signal	> 10 <sup>8</sup>
max. contact resistance signal	3 mOhm



# Contact insert M23 Signal - 16-pole (solder in)

Item number 7001916127

Temperature range	-40°C to +125°C
-------------------	-----------------

Degree of Protection	3
----------------------	---

Flammability	V-0 (UL 94)
--------------	-------------



# Contact insert M23 Signal - 16-pole (solder in)

Item number 7001916127

## Commercial data

Packaging Unit	25
EAN code	4033878500569
Weight	0.00246 kg
ETIM 7	EC003557
ETIM 8	EC003557
ETIM 9	EC003557
eCl@ss 10.1	27440223
Customs tariff number	85366930

Note:

