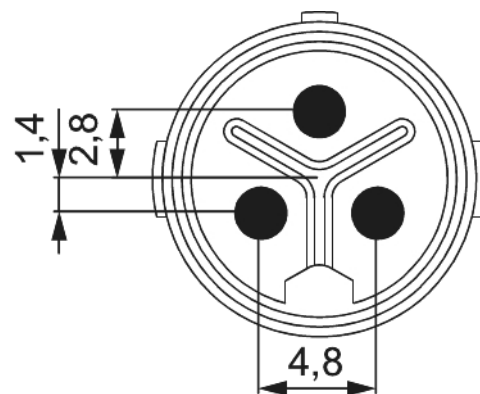
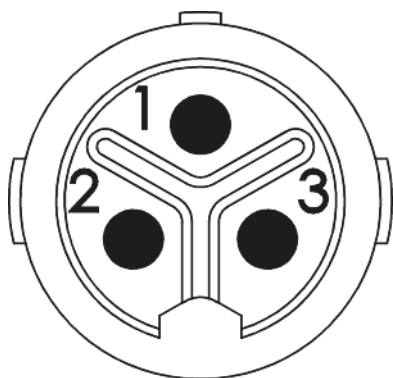


# Contact insert M16 - 3-pole (solder in)

Item number 7001983118



## Technical data

Characteristic of connection	PCB assembly
Number of poles	3
Pole picture	3
Dip solder contacts length	17 mm
Insert	Socket
Material insulating body	PA 6 , PBT
Number of contacts power	3
Contact-Ø power	2 mm
Nominal current power	20 A
Nominal voltage at degree of pollution 3 power	250 V~
Test voltage power	1500 V~
Insulation resistance signal	> 10 <sup>8</sup>
max. contact resistance signal	3 mOhm
Temperature range	-40 °C to +125 °C
Degree of Protection	3

# Contact insert M16 - 3-pole (solder in)

Item number 7001983118

**Flammability**

V-0 (UL 94)

# Contact insert M16 - 3-pole (solder in)

Item number 7001983118

## Commercial data

Packaging Unit	25
EAN code	4033878500934
Weight	0.0032 kg
ETIM 7	EC003557
ETIM 8	EC003557
ETIM 9	EC003557
eCl@ss 10.1	27440223
Customs tariff number	85366930

Note:

