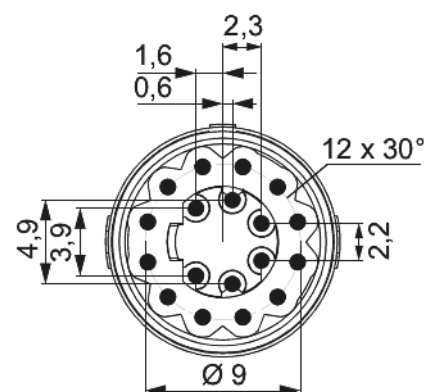
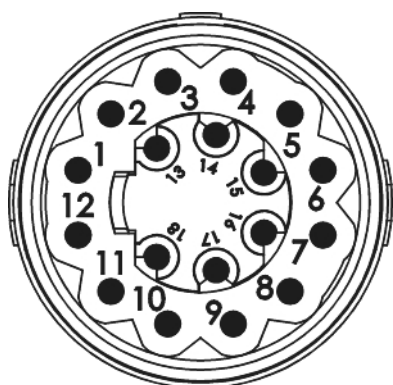


Contact insert M16 - 18-pole (solder in)

Item number 7001988127



Technical data

Characteristic of connection	PCB assembly
Number of poles	18
Pole picture	12 + 6
Dip solder contacts length	10 mm
Insert	Pin
Material insulating body	PA 6 , PBT
Number of contacts signal	18
Contact-Ø signal	0.1 mm
Nominal current signal	3 A
Nominal voltage at degree of pollution 3 signal	24 V \sim
Test voltage signal	400 V \sim
Insulation resistance signal	> 10 ⁸
max. contact resistance signal	3 mOhm
Temperature range	-40°C to +125°C
Degree of Protection	3

Contact insert M16 - 18-pole (solder in)

Item number 7001988127

Flammability

V-0 (UL 94)

Contact insert M16 - 18-pole (solder in)

Item number 7001988127

Commercial data

Packaging Unit	25
EAN code	4033878501023
Weight	0.00366 kg
ETIM 7	EC003557
ETIM 8	EC003557
ETIM 9	EC003557
eCl@ss 10.1	27440223
Customs tariff number	85366930

Note:

