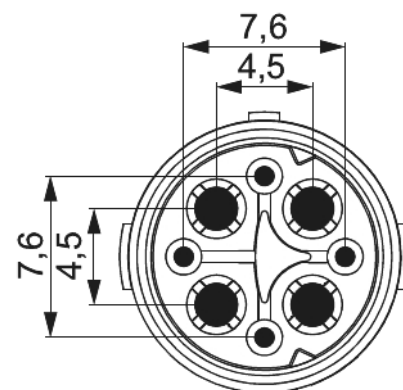
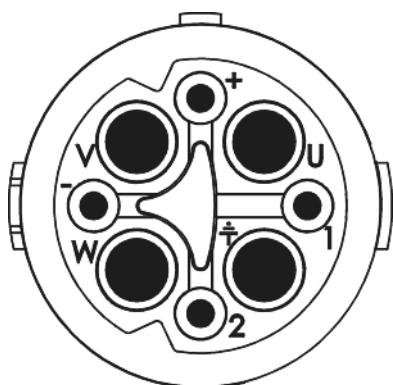


Contact insert M16 - 8-pole

Item number 7003908102



Technical data

Characteristic of connection	Crimp
Number of poles	8
Pole picture	4 + 3 + PE
Coding	PE
Insert	Socket
Color contact insert	white
Material insulating body	PA 6 , PBT
Number of contacts signal	4
Number of contacts power	4
Number of contacts PE	1
Contact-Ø signal	0.8 mm
Contact-Ø power	1.25 mm
Terminal cross section power	0,34 - 1,5 mm ²
Nominal current signal	5 A
Nominal current power	16 A



Contact insert M16 - 8-pole

Item number 7003908102

Nominal voltage at degree of pollution 3 signal	160 V~
Nominal voltage at degree of pollution 3 power	600 V~
Test voltage signal	1500 V~
Test voltage power	2500 V~
Insulation resistance signal	$> 10^8$
Insulation resistance power	$> 10^8$
max. contact resistance signal	3 mOhm
max. contact resistance power	3 mOhm
Temperature range	-40°C to +125°C
Degree of Protection	3
Flammability	V-0 (UL 94)



Contact insert M16 - 8-pole

Item number 7003908102

Commercial data

Packaging Unit	25
EAN code	4033878501320
Weight	0.00216 kg
ETIM 7	EC003557
ETIM 8	EC003557
ETIM 9	EC003557
eCl@ss 10.1	27440223
Customs tariff number	85469010

Note:

