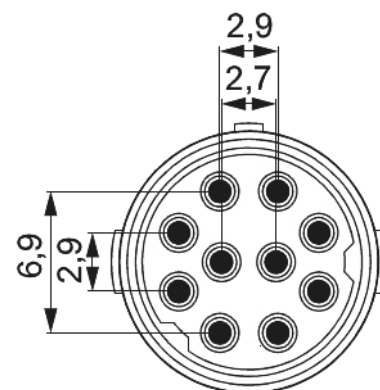
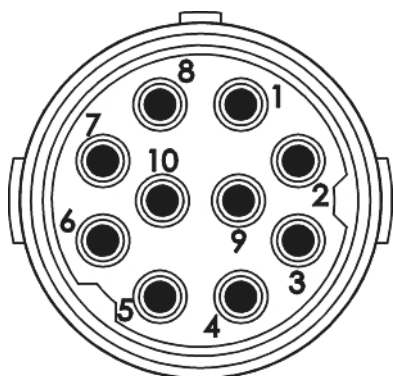


# Contact insert M16 - 10-pole

Item number 7003910101



## Technical data

Characteristic of connection	Crimp
Number of poles	10
Pole picture	10
Insert	Pin
Color contact insert	white
Material insulating body	PA 6 , PBT
Number of contacts signal	10
Contact-Ø signal	1 mm
Nominal current signal	8 A
Nominal voltage at degree of pollution 3 signal	40 V~
Test voltage signal	500 V~
Insulation resistance signal	> 10 <sup>8</sup>
max. contact resistance signal	3 mOhm
Temperature range	-40 °C to +125 °C
Degree of Protection	3



# Contact insert M16 - 10-pole

Item number 7003910101

Flammability	V-0 (UL 94)
Suitable power contacts	7010981001



# Contact insert M16 - 10-pole

Item number 7003910101

## Commercial data

Packaging Unit	25
EAN code	4033878501337
Weight	0.00266 kg
ETIM 7	EC003557
ETIM 8	EC003557
ETIM 9	EC003557
eCl@ss 10.1	27440223
Customs tariff number	85472000

Note:

