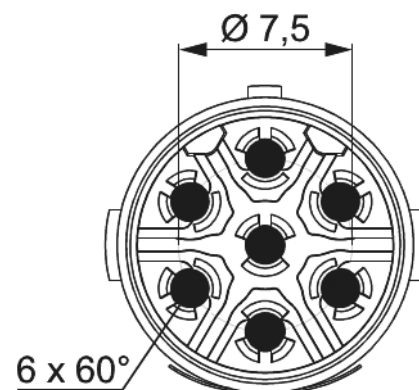
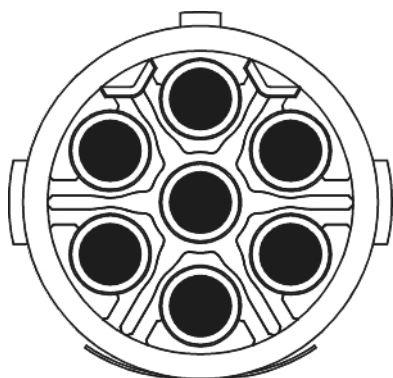


Contact insert M16 - 7-pole

Item number 7003961102



Technical data

Characteristic of connection	Crimp
Number of poles	7
Pole picture	6 + PE
Coding	PE
Insert	Socket
Color contact insert	white
Material insulating body	PA 6 , PBT
Number of contacts power	6
Number of contacts PE	1
Contact-Ø signal	1.25 mm
Nominal current signal	16 A
Nominal voltage at degree of pollution 3 power	500 V~
Test voltage signal	1500 V~
Insulation resistance power	> 10 ⁸
max. contact resistance signal	3 mOhm

Contact insert M16 - 7-pole

Item number 7003961102

Temperature range	-40°C to +125°C
-------------------	-----------------

Degree of Protection	3
----------------------	---

Flammability	V-0 (UL 94)
--------------	-------------

Contact insert M16 - 7-pole

Item number 7003961102

Commercial data

Packaging Unit	25
EAN code	4033878010730
Weight	0.003 kg
ETIM 7	EC003557
ETIM 8	EC003557
ETIM 9	EC003557
eCl@ss 10.1	27440223
Customs tariff number	85472000

Note:

