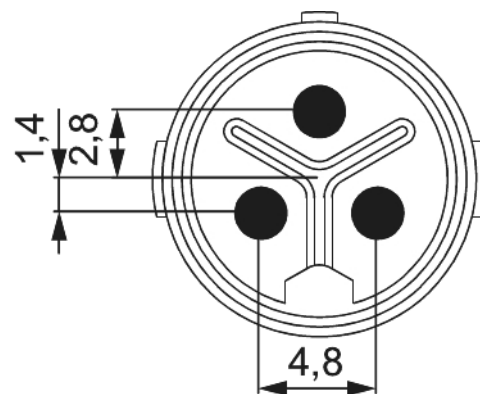
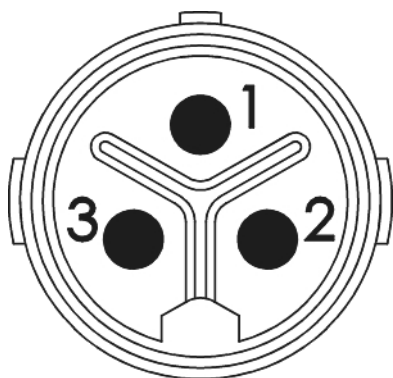


# Contact insert M16 - 3-pole

Item number 7003983101



## Technical data

Characteristic of connection	Crimp
Number of poles	3
Pole picture	3
Insert	Pin
Color contact insert	white
Material insulating body	PA 6 , PBT
Number of contacts power	3
Contact-Ø signal	2 mm
Nominal current power	20 A
Nominal voltage at degree of pollution 3 power	400 V~
Test voltage power	2500 V~
Insulation resistance power	> 10 <sup>10</sup>
max. contact resistance signal	3 mOhm
Temperature range	-40 °C to +125 °C
Degree of Protection	3



# Contact insert M16 - 3-pole

Item number 7003983101

Flammability	V-0 (UL 94)
Suitable power contacts	7010982001



# Contact insert M16 - 3-pole

Item number 7003983101

## Commercial data

Packaging Unit	25
EAN code	4033878501566
Weight	0.005 kg
ETIM 7	EC003557
ETIM 8	EC003557
ETIM 9	EC003557
eCl@ss 10.1	27440223
Customs tariff number	85472000

Note:

