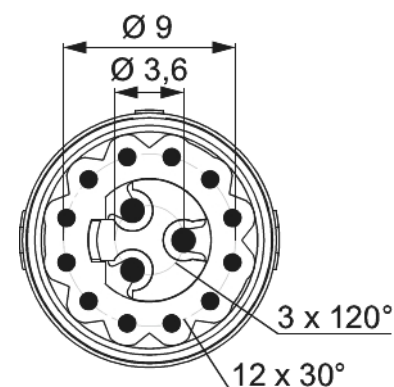
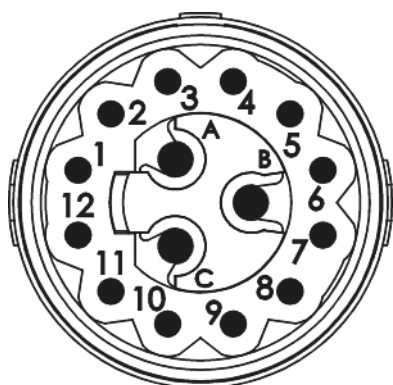


Contact insert M16 - 15-pole

Item number 7003985101



Technical data

Characteristic of connection	Crimp
Number of poles	15
Pole picture	12 + 3
Insert	Pin
Color contact insert	white
Material insulating body	PA 6 , PBT
Number of contacts signal	12
Number of contacts power	3
Contact-Ø signal	0.8 mm
Contact-Ø power	1.25 mm
Terminal cross section power	0,5 - 1,5 mm ²
Nominal current signal	3 A
Nominal current power	10 A
Nominal voltage at degree of pollution 3 signal	24 V [~]

Contact insert M16 - 15-pole

Item number 7003985101

Nominal voltage at degree of pollution 3 power	60 V~
Test voltage signal	400 V~
Test voltage power	840 V~
Insulation resistance signal	$> 10^8$
Insulation resistance power	$> 10^8$
max. contact resistance signal	3 mOhm
Temperature range	-40°C to +125°C
Degree of Protection	3
Flammability	V-0 (UL 94)

Contact insert M16 - 15-pole

Item number 7003985101

Commercial data

Packaging Unit	25
EAN code	4033878501580
Weight	0.00093 kg
ETIM 7	EC003557
ETIM 8	EC003557
ETIM 9	EC003557
eCl@ss 10.1	27440223
Customs tariff number	85469010

Note:

