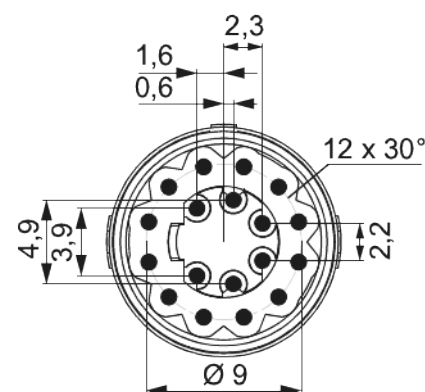
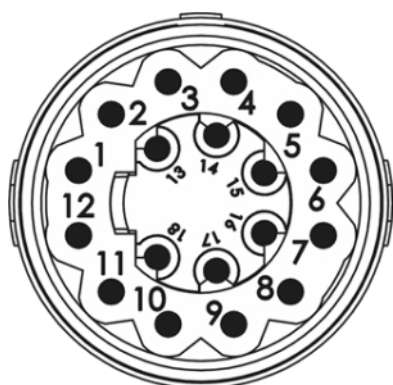


Contact insert M16 - 18-pole

Item number 7003988101



Technical data

Characteristic of connection	Crimp
Number of poles	18
Pole picture	12 + 6
Insert	Pin
Color contact insert	white
Material insulating body	PA 6 , PBT
Number of contacts signal	18
Contact-Ø signal	0.8 mm
Nominal current signal	3 A
Nominal voltage at degree of pollution 3 signal	24 V [~]
Test voltage signal	400 V [~]
Insulation resistance signal	10 ⁸ Ω
max. contact resistance signal	3 mOhm
Temperature range	-40°C to +125°C
Degree of Protection	3

Contact insert M16 - 18-pole

Item number 7003988101

Flammability	V-0 (UL 94)
---------------------	-------------

Suitable power contacts	7010980801
--------------------------------	------------



Contact insert M16 - 18-pole

Item number 7003988101

Commercial data

Packaging Unit	25
EAN code	4033878501603
Weight	0.00093 kg
ETIM 7	EC003557
ETIM 8	EC003557
ETIM 9	EC003557
eCl@ss 10.1	27440223
Customs tariff number	85472000

Note:

