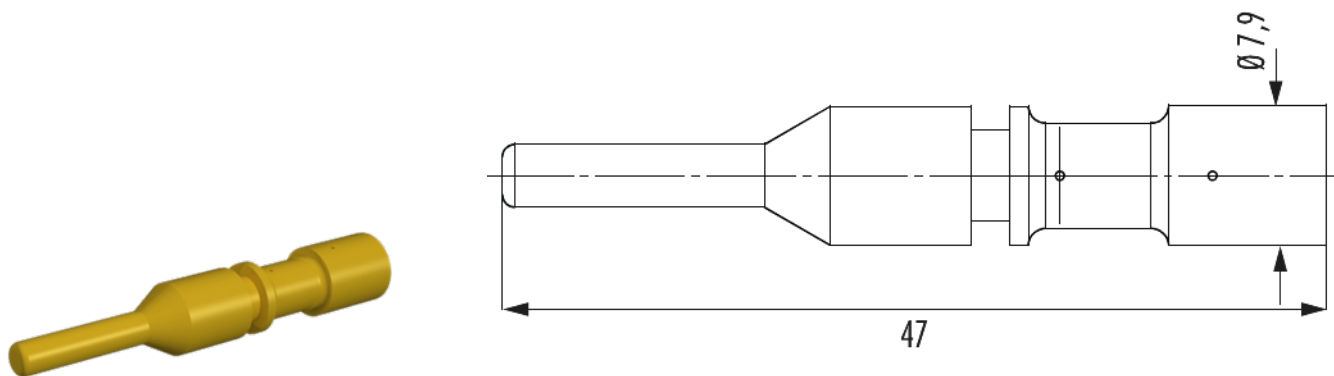


Contact M40 Power crimp pin 3,6 mm

Item number 7015953623



Technical data

Characteristic of connection	Crimp
Insert	Pin
Crimp contact	Crimp pin power 3,6 mm machined
Material contact	Copper-zinc alloy
Material contact surface	nickel, gold plated (0.25 µm)
Contact-Ø power	3.6 mm
Length (L)	47 mm
Crimp range	10 - 10 mm ²
Suitable crimping tool	7000900919 , 7000900920 , 7010900153

Contact M40 Power crimp pin 3,6 mm

Item number 7015953623

Commercial data

Packaging Unit	25
EAN code	4033878002025
Weight	0.00782 kg
ETIM 7	EC000796
ETIM 8	EC000796
ETIM 9	EC000796
Customs tariff number	85366990

Note:

