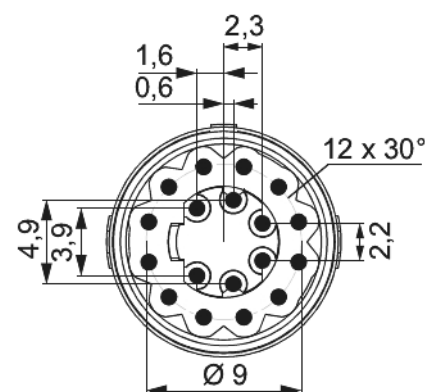
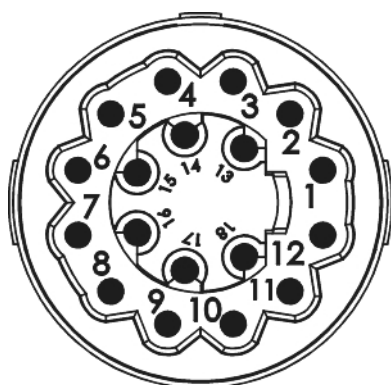


Contact insert M16 - 18-pole

Item number 7053988102



Technical data

Characteristic of connection	Crimp
Number of poles	18
Pole picture	12 + 6
Insert	Socket
colour	DESINA green
Material insulating body	PA 6, PBT
Number of contacts signal	18
Contact-Ø signal	0,8 mm
Terminal cross section signal	0.34 - 0.34
Nominal current signal	3 A
Nominal voltage at degree of pollution 3 signal	24 V~
Test voltage signal	1500 V~
Insulation resistance signal	> 10 ¹⁰ Ohm
Max. contact resistance signal	3 Ohm
Temperature range	-40°C to +125°C

Contact insert M16 - 18-pole

Item number 7053988102

Degree of Protection	3
Flammability	V-0 (UL 94)
Suitable crimping tool	7000900904
Suitable power contacts	7010980802

Contact insert M16 - 18-pole

Item number 7053988102

Commercial data

Packaging Unit	10
EAN code	4033878502761
Weight	0.00093 kg
ETIM 7	EC003557
eCl@ss 10.1	27440223

Note:

