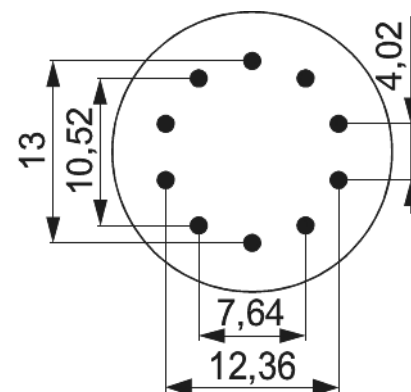
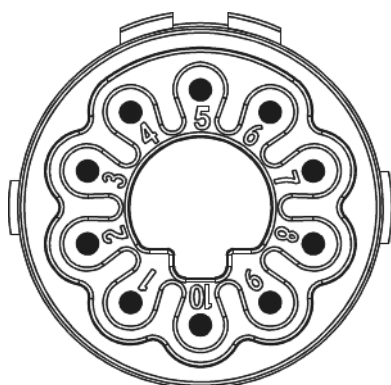


Contact insert M23 Power - 10-pole

Item number 7084910102



Technical data

Characteristic of connection	Crimp
Number of poles	10
Pole picture	10
Insert	Socket
Color contact insert	blue
Material insulating body	PA 6 , PBT
Number of contacts signal	10
Contact-Ø signal	1 mm
Terminal cross section signal	0,14 - 1,5 mm ²
Terminal cross section power	0,75 - 4 mm ²
Nominal current signal	10 A
Nominal voltage at degree of pollution 3 signal	160 V [~]
Test voltage signal	2500 V [~]
Test voltage power	4000 V [~]
Insulation resistance signal	> 10 ¹³

Contact insert M23 Power - 10-pole

Item number 7084910102

max. contact resistance signal	3 mOhm
max. contact resistance power	3 mOhm
Temperature range	-40°C to +125°C
Degree of Protection	3
Flammability	V-0 (UL 94)
Suitable Signal contacts	7010941002 , 7010941022

Contact insert M23 Power - 10-pole

Item number 7084910102

Commercial data

Packaging Unit	25
EAN code	4033878502785
Weight	0.006 kg
ETIM 7	EC003557
ETIM 8	EC003557
ETIM 9	EC003557
eCl@ss 10.1	27440223
Customs tariff number	85472000

Note:

