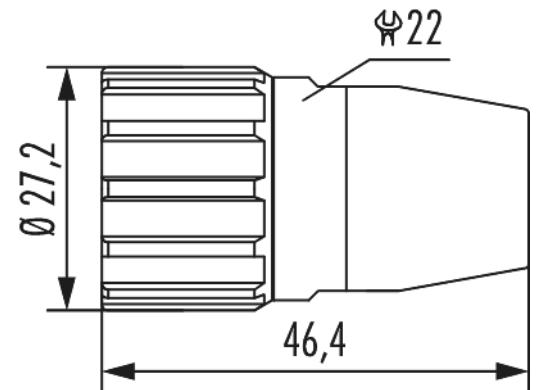


# Accessories M23 Signal dead end connector housing

Item number 710500000



## Technical data

Colour	silver light (nickel plated)
Shape	round
Function	Adapter
Suitable for	M23 Signal
Material seals/o-rings	NBR
Temperature range	-40°C to +125°C
Locking type	Screw

# Accessories M23 Signal dead end connector housing

Item number 7105000000

## Commercial data

Packaging Unit	25
EAN code	4033878502853
Weight	0.1029 kg
ETIM 7	EC002314
ETIM 8	EC002314
ETIM 9	EC002314
eCl@ss 10.1	27440223
Customs tariff number	85366990

Note:

