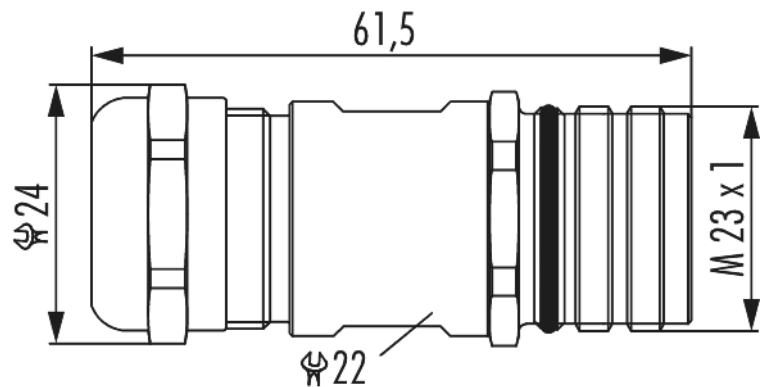


Housing INOX coupler connector M23 Signal

Item number 724150000



Technical data

| | |
|------------------------------|-----------------------------------|
| Housing type | Coupler |
| Material housing | Stainless steel 1.4404 (AISI 316) |
| Material housing surface | - |
| Insert | Pin |
| Version | Screw |
| External thread plug-in side | - |
| Internal thread plug-in side | - |
| Locking type | Screw |
| Shield | shielded |
| Seal type | O-Ring |
| Material seals/o-rings | FKM (FPM) |
| Wrench size (SW1/SW2) | 24/22 mm |
| Cable diameter | 7 - 12 mm |
| Temperature range | -40°C to +125°C |
| Protection class | IP 67 , IP 69 K |

Housing INOX coupler connector M23 Signal

Item number 724150000

Commercial data

| | |
|-----------------------|---------------|
| Packaging Unit | 5 |
| EAN code | 4033878503188 |
| Weight | 0.07499 kg |
| ETIM 7 | EC003556 |
| ETIM 8 | EC003556 |
| ETIM 9 | EC003556 |
| eCl@ss 10.1 | 27440224 |
| Customs tariff number | 85366990 |

Note:

