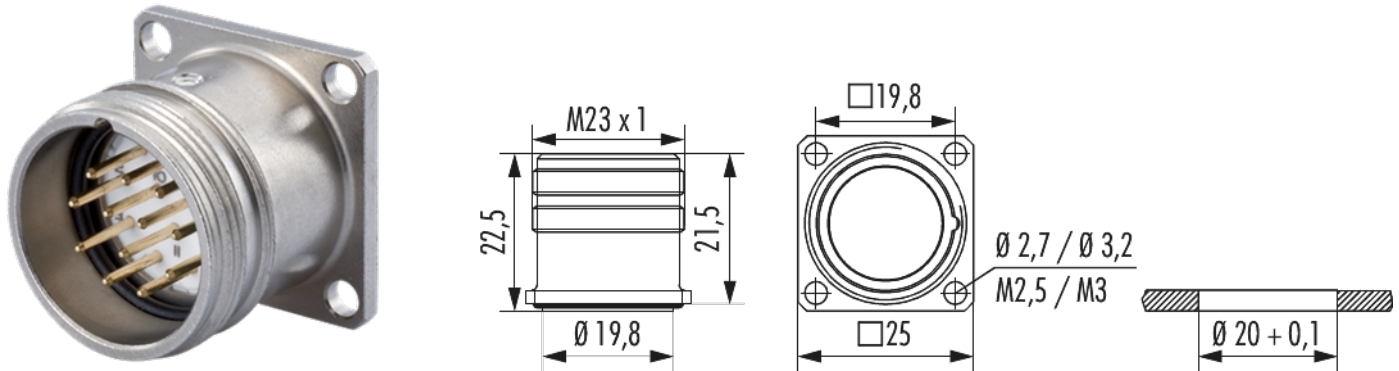


Housing panel connector M23 Signal

Item number 7406000000



Technical data

| | |
|------------------------------|-------------------|
| Material housing | Copper-Zinc alloy |
| Material housing surface | Nickel |
| Installation type | Front wall |
| Version | Standard |
| External thread plug-in side | M23 x 1 |
| Locking type | Screw |
| Shield | unshielded |
| Material seals/o-rings | NBR |
| Coding position | |
| Panel hole | Ø 20 + 0,1 mm |
| Drill form | - mm |
| Flange | 25 x 25 mm |
| Hole distance | 19.8 mm |
| Hole diameter | 4 x M2,5 mm |
| Length (L) | 22.5 mm |
| Allen key/Torx | - |



Housing panel connector M23 Signal

Item number 7406000000

| | |
|-------------------|-------------------|
| Protection class | IP 67 , IP 69 K |
| Temperature range | -40 °C to +125 °C |



Housing panel connector M23 Signal

Item number 7406000000

Commercial data

| | |
|-----------------------|---------------|
| Packaging Unit | 25 |
| EAN code | 4033878503362 |
| Weight | 0.02612 kg |
| ETIM 7 | EC003556 |
| ETIM 8 | EC003556 |
| ETIM 9 | EC003556 |
| eCl@ss 10.1 | 27440224 |
| Customs tariff number | 85366990 |

Note:

