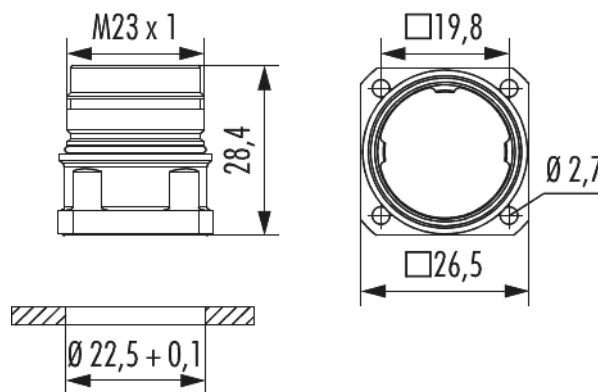


Housing panel connector M23 Profinet

Item number 7408000000



Technical data

Material housing	Zinc Die Cast
Material housing surface	Nickel
Installation type	Front wall
External thread plug-in side	M23 x 1
Locking type	Screw
Shield	unshielded
Material seals/o-rings	NBR
Flange	26 x 26 mm
Hole distance	19.8 mm
Hole diameter	4 x Ø 2,7 mm
Protection class	IP 67
Temperature range	-40 °C to +125 °C
suitable contact inserts	7001920107 , 7003920101

Housing panel connector M23 Profinet

Item number 7408000000

Commercial data

Packaging Unit	5
EAN code	4033878503379
Weight	0.023 kg
ETIM 7	EC003556
ETIM 8	EC003556
ETIM 9	EC003556
eCl@ss 10.1	27440224
Customs tariff number	85366990

Note:

