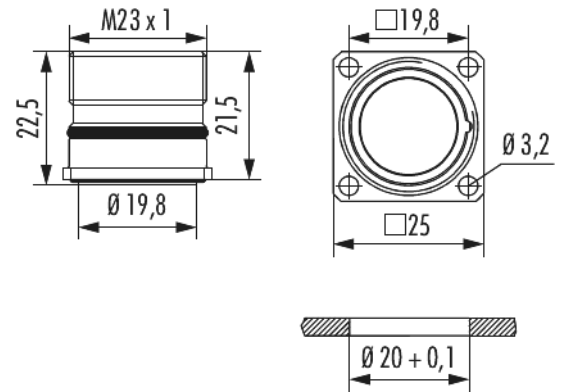


Housing INOX panel connector M23 Signal

Item number 7410400000



Technical data

Material housing	Stainless steel 1.4404 (AISI 316)
Material housing surface	-
Insert	
Version	with vibration protection
External thread plug-in side	-
Internal thread plug-in side	-
Locking type	Screw
Shield	unshielded
Seal type	O-Ring
Material seals/o-rings	FKM (FPM)
Flange	25 x 25 mm
Hole distance	19.8 mm
Hole diameter	4 x Ø 3,2 mm
Temperature range	-40°C to +125°C
Protection class	IP 67 , IP 69 K

Housing INOX panel connector M23 Signal

Item number 741040000

Commercial data

Packaging Unit	5
EAN code	4033878503393
Weight	0.02259 kg
ETIM 7	EC003556
ETIM 8	EC003556
ETIM 9	EC003556
eCl@ss 10.1	27440224
Customs tariff number	85366990

Note: