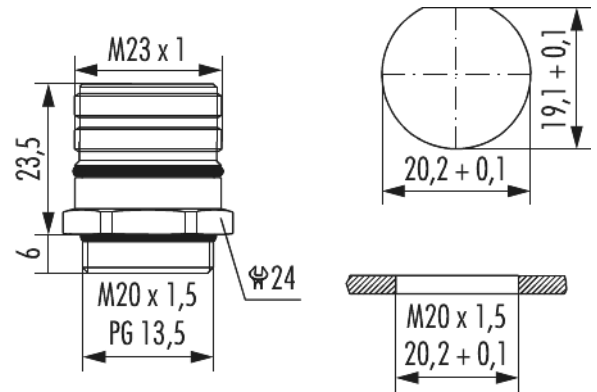


Housing panel connector M23 Signal single hole mounting

Item number 742000000



Technical data

Material housing	brass , Zinc Die Cast
Material housing surface	Nickel
Insert	Pin
Installation type	Front wall
Version	for pin inserts
External thread (AG)	M20 x 1,5
External thread plug-in side	M23 x 1
Locking type	Screw
Shield	unshielded
Seal type	O-Ring
Material seals/o-rings	NBR
Coding position	
Panel hole	Ø 20,2 + 0,1 mm
Drill form	D 19,1 + 0,1 mm, D Ø 20,2 + 0,1 mm
Flange	- mm
Hole diameter	- mm

Housing panel connector M23 Signal single hole mounting

Item number 7420000000

Length (L)	29.5 mm
Allen key/Torx	-
Wrench size (SW)	24 mm
Protection class	IP 67 , IP 69 K
Temperature range	-40 °C to +125 °C

Housing panel connector M23 Signal single hole mounting

Item number 742000000

Commercial data

Packaging Unit	25
EAN code	4033878503447
Weight	0.02762 kg
ETIM 7	EC003556
ETIM 8	EC003556
ETIM 9	EC003556
eCl@ss 10.1	27440224
Customs tariff number	85366990

Note:

