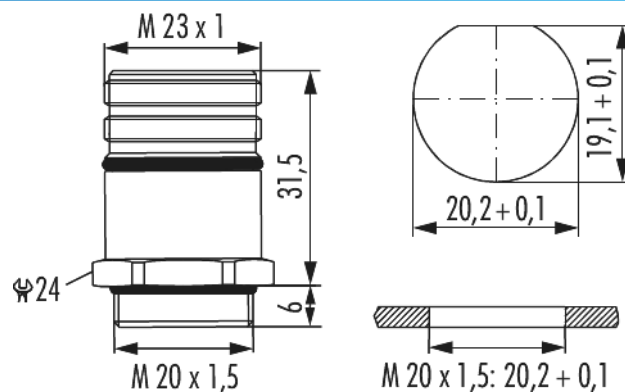


Housing INOX panel connector M23 Signal single hole mounting

Item number 7421400000



Technical data

Material housing	Stainless steel 1.4404 (AISI 316)
Material housing surface	-
Insert	Socket
Version	for socket inserts
External thread plug-in side	M23 x 1
Internal thread plug-in side	-
Locking type	Screw
Shield	unshielded
Seal type	O-Ring
Material seals/o-rings	FKM (FPM)
Panel hole	Ø 20,2 + 0,1 mm
Drill form	D 19,1 + 0,1 mm, D Ø 20,2 + 0,1 mm
Temperature range	-40 °C to +125 °C
Protection class	IP 67 , IP 69 K

Housing INOX panel connector M23 Signal single hole mounting

Item number 742140000

Commercial data

Packaging Unit	5
EAN code	4033878503478
Weight	0.03925 kg
ETIM 7	EC003556
ETIM 8	EC003556
ETIM 9	EC003556
eCl@ss 10.1	27440224
Customs tariff number	85366990

Note:

