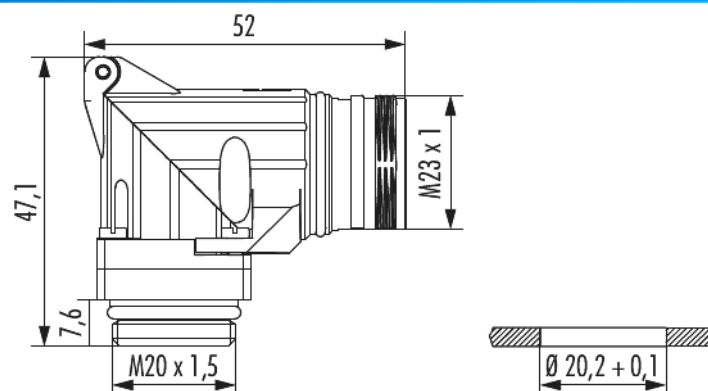


# Housing panel connector M23 Signal angled rotatable

Item number 7431000000



## Technical data

Housing type	Panel angled
Material housing	Zinc Die Cast
Material housing surface	Nickel
Version	right angled
External thread plug-in side	M23 x 1
Locking type	Screw
Shield	unshielded
Seal type	O-Ring
Material seals/o-rings	FKM (FPM) , NBR
Rotatable	335 °
Panel hole	Ø 20,2 + 0,1 mm
Drill form	- mm
Hole diameter	- mm
Length (L)	52 mm
Allen key/Torx	-
Protection class	IP 67 , IP 69 K

# Housing panel connector M23 Signal angled rotatable

Item number 7431000000

**Temperature range** -40°C to +125°C

# Housing panel connector M23 Signal angled rotatable

Item number 7431000000

## Commercial data

Packaging Unit	25
EAN code	4033878503522
Weight	0.08185 kg
ETIM 7	EC003556
ETIM 8	EC003556
ETIM 9	EC003556
Customs tariff number	85366990

Note:

