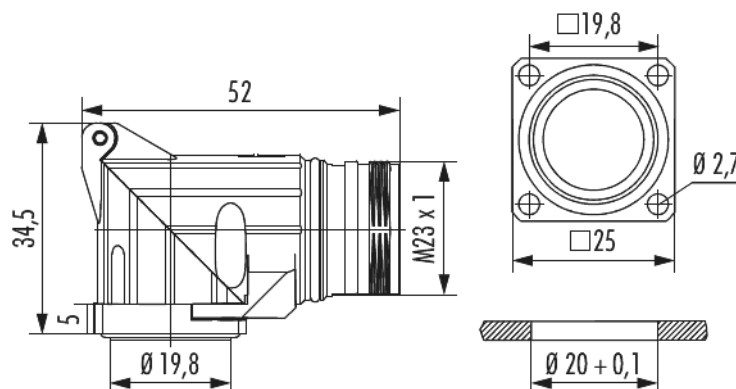


Housing panel connector M23 Signal angled

Item number 7435000000



Technical data

Housing type	Panel angled
Material housing	Zinc Die Cast
Material housing surface	Nickel
Version	right angled
External thread plug-in side	M23 x 1
Locking type	Screw
Shield	unshielded
Seal type	O-Ring
Material seals/o-rings	NBR
Panel hole	Ø 20 + 0,1 mm
Drill form	- mm
Flange	25 x 25 mm
Hole distance	19.8 mm
Hole diameter	4 x Ø 2,7 mm
Length (L)	52 mm
Allen key/Torx	-



Housing panel connector M23 Signal angled

Item number 7435000000

Protection class	IP 67 , IP 69 K
Temperature range	-40 °C to +125 °C



Housing panel connector M23 Signal angled

Item number 7435000000

Commercial data

Packaging Unit	25
EAN code	4033878503560
Weight	0.075 kg
ETIM 7	EC003556
ETIM 8	EC003556
ETIM 9	EC003556
eCl@ss 10.1	27440224
Customs tariff number	85366990

Note:

