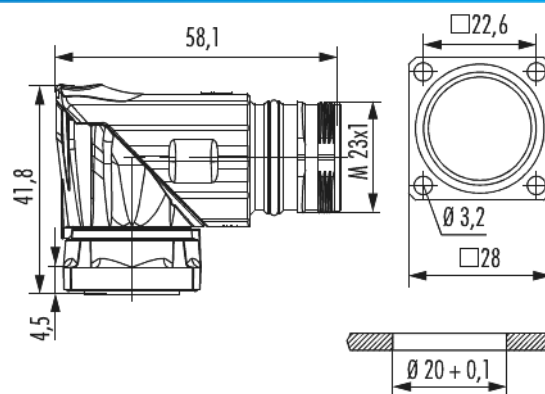


# Housing panel connector M23 Signal angled rotatable

Item number 7439100010



## Technical data

Housing type	Panel angled
Material housing	Zinc Die Cast
Material housing surface	Nickel
Version	right angled
External thread plug-in side	M23 x 1
Locking type	Screw
Shield	unshielded
Seal type	O-Ring
Material seals/o-rings	NBR
Rotatable	330 °
Drill form	- mm
Flange	28 x 28 mm
Hole distance	22.6 mm
Hole diameter	4 x Ø 3,2 mm
Protection class	IP 67 , IP 69 K
Temperature range	-40°C to +125°C

# Housing panel connector M23 Signal angled rotatable

Item number 7439100010

## Commercial data

<b>Packaging Unit</b>	20
<b>EAN code</b>	4033878007723
<b>Weight</b>	0.1285 kg
<b>ETIM 7</b>	EC003556
<b>ETIM 8</b>	EC003556
<b>ETIM 9</b>	EC003556
<b>Customs tariff number</b>	85366990

## Note:

Attention, only pin socket possible