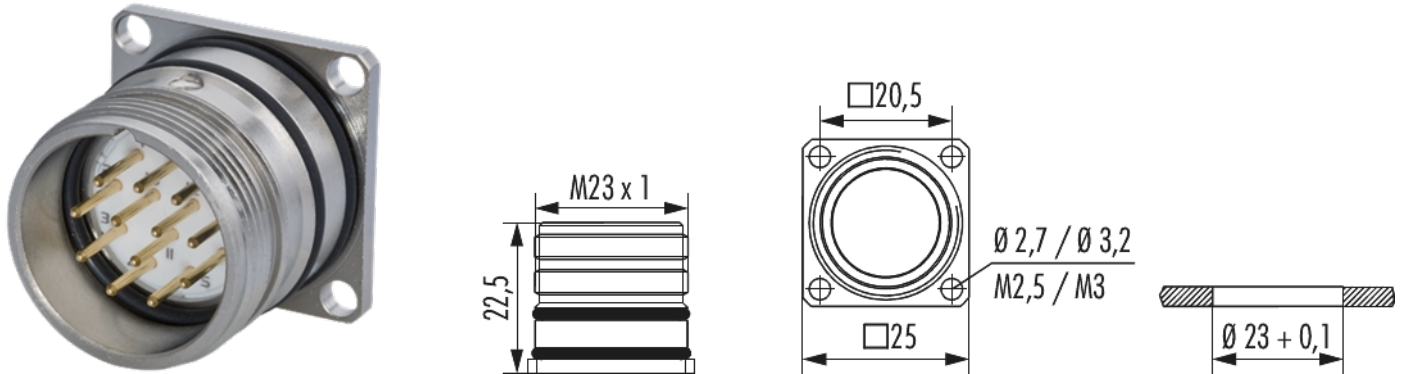


Housing TWILOCK-S panel connector M23

Signal rear wall

Item number 7462000005



Technical data

Material housing	Copper-Zinc alloy
Material housing surface	Nickel
Installation type	Rear wall
Version	TWILOCK-S , with vibration protection
External thread plug-in side	M23 x 1
Locking type	Screw
Shield	unshielded
Seal type	O-Ring
Material seals/o-rings	FKM (FPM) , NBR
Panel hole	Ø 23 + 0,1 mm
Flange	25 x 25 mm
Hole distance	20.5 mm
Hole diameter	4 x M3 mm
Temperature range	-40°C to +125°C
Protection class	IP 67 , IP 69 K



Housing TWILOCK-S panel connector M23

Signal rear wall

Item number 746200000S

Commercial data

Packaging Unit	25
EAN code	4033878003152
Weight	0.02948 kg
ETIM 7	EC003556
ETIM 8	EC003556
ETIM 9	EC003556
eCl@ss 10.1	27440224
Customs tariff number	85366990

Note:

