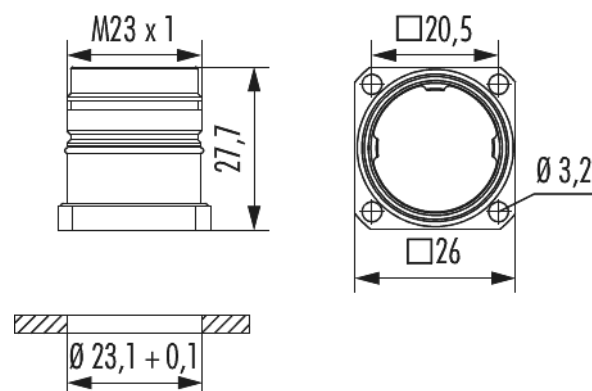


Housing panel connector M23 Profinet

Item number 7468000000



Technical data

Material housing	Zinc Die Cast
Material housing surface	Nickel
Installation type	Rear wall
External thread plug-in side	M23 x 1
Locking type	Screw
Shield	unshielded
Seal type	O-Ring
Material seals/o-rings	NBR
Panel hole	Ø 23 + 0,1 mm
Flange	26 x 26 mm
Hole distance	20.5 mm
Hole diameter	4 x Ø 3,2 mm
Protection class	IP 67
Temperature range	-40°C to +125°C
suitable contact inserts	7001920108 , 7003920102

Housing panel connector M23 Profinet

Item number 7468000000

Commercial data

Packaging Unit	5
EAN code	4033878503713
Weight	0.02 kg
ETIM 7	EC003556
ETIM 8	EC003556
ETIM 9	EC003556
eCl@ss 10.1	27440224
Customs tariff number	85366990

Note:

