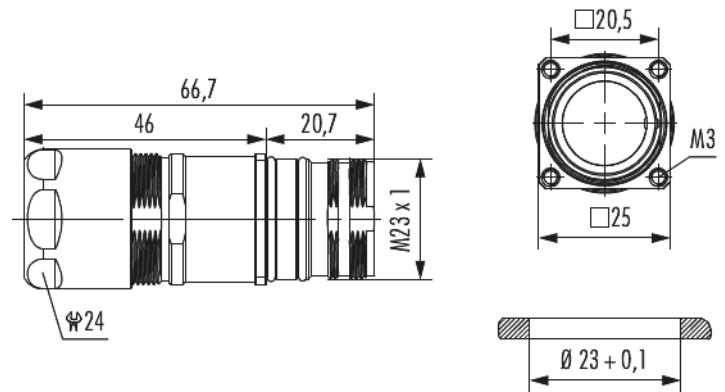


# Housing panel connector M23 Signal EMV-strain relief

Item number 7476400000



## Technical data

Material housing	brass , Zinc Die Cast
Material housing surface	Nickel
Installation type	Rear wall
External thread plug-in side	M23 x 1
Locking type	Screw
Shield	shielded
Material seals/o-rings	NBR
Coding position	
Panel hole	$\varnothing 23 + 0,1$ mm
Drill form	- mm
Flange	25 x 25 mm
Hole distance	20.5 mm
Hole diameter	4 x M3 mm
Length (L)	66.7 mm
Allen key/Torx	-
Wrench size (SW)	24 mm



# Housing panel connector M23 Signal EMV- strain relief

Item number 7476400000

Cable diameter	3 - 7 mm
Protection class	IP 67 , IP 69 K
Temperature range	-40°C to +125°C



# Housing panel connector M23 Signal EMV-strain relief

Item number 7476400000

## Commercial data

Packaging Unit	25
EAN code	4033878503720
Weight	0.07408 kg
ETIM 7	EC003556
ETIM 8	EC003556
ETIM 9	EC003556
eCl@ss 10.1	27440224
Customs tariff number	85366990

Note:

