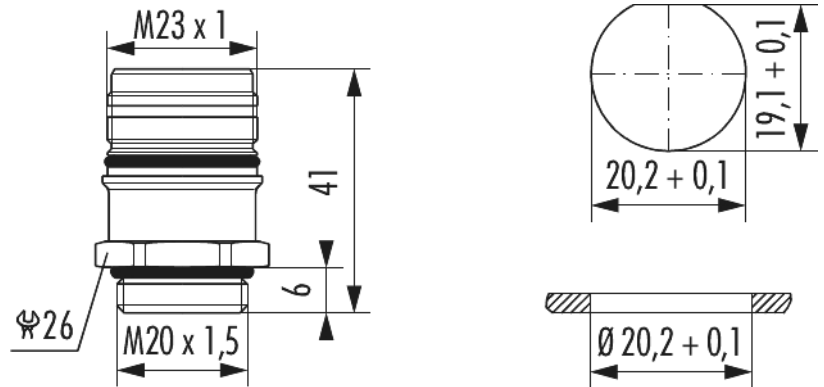


Housing panel connector M23 Power single hole mounting

Item number 7621000000



Technical data

Material housing	Copper-Zinc alloy
Material housing surface	Nickel
Installation type	Front wall
External thread (AG)	M20 x 1,5
External thread plug-in side	M23 x 1
Locking type	Screw
Shield	unshielded
Material seals/o-rings	NBR
Panel hole	Ø 20,2 + 0,1 mm
Drill form	D 19,1 + 0,1 mm, D Ø 20,2 + 0,1 mm
Wrench size (SW)	26 mm
Protection class	IP 67 , IP 69 K
Temperature range	-40 °C to +125 °C
suitable contact inserts	7084909101 , 7084909102 , 7084910101 , 7084910102 , 7084943121 , 7084943122 , 7084951121 , 7084951122 , 7084953101 , 7084953102



Housing panel connector M23 Power single hole mounting

Item number 7621000000

Commercial data

Packaging Unit	25
EAN code	4033878504079
Weight	0.03014 kg
ETIM 7	EC003556
ETIM 8	EC003556
ETIM 9	EC003556
eCl@ss 10.1	27440224
Customs tariff number	85366990

Note:

