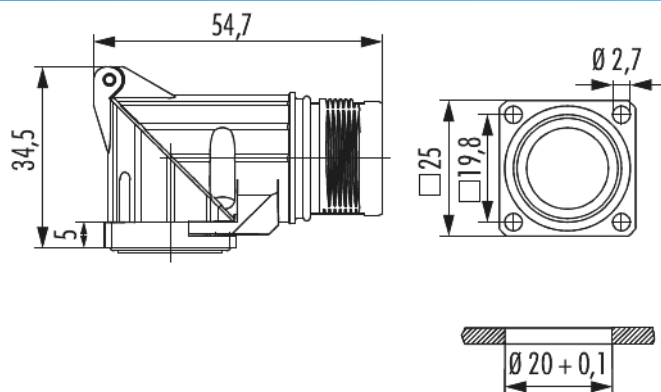


Housing panel connector M23 Power angled rotatable

Item number 7635000000



Technical data

Housing type	Panel angled
Material housing	Zinc Die Cast
Material housing surface	Nickel
Version	right angled
External thread plug-in side	M23 x 1
Locking type	Screw
Shield	unshielded
Material seals/o-rings	NBR
Panel hole	Ø 20 + 0,1 mm
Flange	25 x 25 mm
Hole distance	19.8 mm
Hole diameter	4 x Ø 2,7 mm
Protection class	IP 67 , IP 69 K
Temperature range	-40°C to +125°C
suitable contact inserts	7084909101 , 7084909102 , 7084910101 , 7084910102 , 7084951121 , 7084951122 , 7084953101 , 7084953102



Housing panel connector M23 Power angled rotatable

Item number 7635000000

Commercial data

Packaging Unit	25
EAN code	4033878504116
Weight	0.0594 kg
ETIM 7	EC003556
ETIM 8	EC003556
ETIM 9	EC003556
eCl@ss 10.1	27440224
Customs tariff number	85366990

Note:

