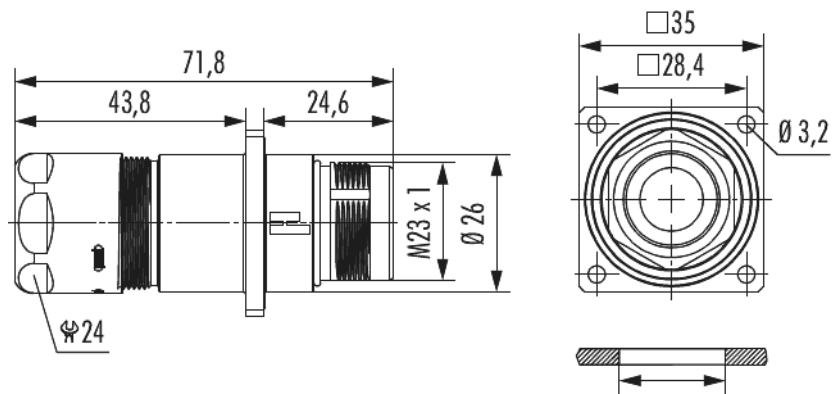


# Housing panel connector M23 Power strain relief

Item number 7683600000



## Technical data

Material housing	Copper-Zinc alloy
Material housing surface	Nickel
Installation type	Front wall , Rear wall
External thread plug-in side	M23 x 1
Locking type	Screw
Shield	shielded
Material seals/o-rings	NBR
Panel hole	mind. Ø 26,5 + 0,2 mm
Flange	35 x 35 mm
Hole distance	28.4 mm
Hole diameter	4 x Ø 3,2 mm
Wrench size (SW)	24 mm
Cable diameter	11 - 17 mm
Protection class	IP 67 , IP 69 K
Temperature range	-40 °C to +125 °C



# Housing panel connector M23 Power strain relief

Item number 7683600000

**suitable contact inserts**

7084909101 , 7084909102 , 7084910101 , 7084910102 ,  
7084943121 , 7084943122 , 7084944101 , 7084944102 ,  
7084951121 , 7084951122 , 7084953101 , 7084953102



# Housing panel connector M23 Power strain relief

Item number 7683600000

## Commercial data

Packaging Unit	25
EAN code	4033878504253
Weight	0.09267 kg
ETIM 7	EC003556
ETIM 8	EC003556
ETIM 9	EC003556
eCl@ss 10.1	27440224
Customs tariff number	85366990

Note:

