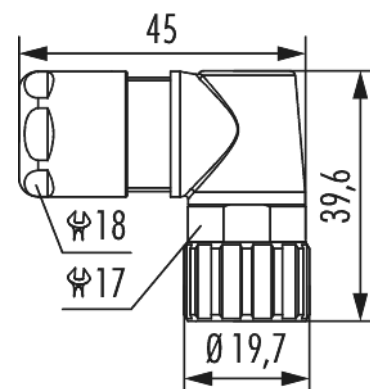


# Housing right angle cable connector M16

Item number 783150000



## Technical data

Material housing	brass , Zinc Die Cast
Material housing surface	Nickel
Version	orientable , Screw
Internal thread plug-in side	M16 x 0,75
Knurled nut-Ø plug-in side	19.7 mm
Locking type	Screw
Shield	shielded
Material seals/o-rings	NBR
Wrench size (SW1/SW2)	18/17 mm
Cable diameter	8 - 11 mm
Temperature range	-40°C to +125°C
Protection class	IP 67 , IP 69 K

# Housing right angle cable connector M16

Item number 783150000

## Commercial data

Packaging Unit	25
EAN code	4033878504802
Weight	0.0536 kg
ETIM 7	EC003556
ETIM 8	EC003556
ETIM 9	EC003556
eCl@ss 10.1	27440224
Customs tariff number	85366990

Note:

