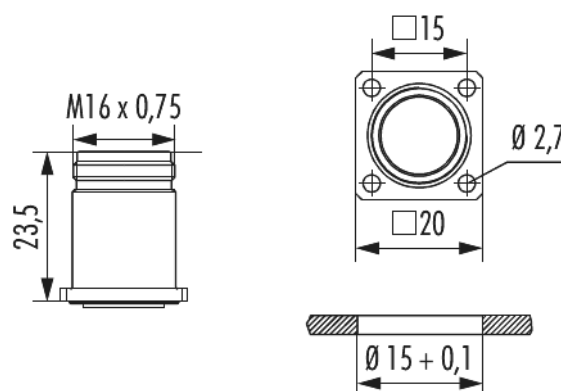


# Housing INOX panel connector M16

Item number 7840400000



## Technical data

<b>Material housing</b>	Stainless steel 1.4404 (AISI 316)
<b>Material housing surface</b>	-
<b>Insert</b>	
<b>Installation type</b>	Front wall
<b>Version</b>	Screw
<b>External thread plug-in side</b>	M16 x 0,75
<b>Internal thread plug-in side</b>	-
<b>Locking type</b>	Screw
<b>Shield</b>	unshielded
<b>Seal type</b>	O-Ring
<b>Material seals/o-rings</b>	alternatively EPDM , FKM (FPM)
<b>Flange</b>	20 x 20 mm
<b>Hole distance</b>	15 mm
<b>Hole diameter</b>	4 x Ø 2,7 mm
<b>Wrench size (SW1/SW2)</b>	/ mm
<b>Temperature range</b>	-40 °C to +125 °C

# Housing INOX panel connector M16

Item number 7840400000

**Protection class**

IP 67 , IP 69 K

# Housing INOX panel connector M16

Item number 7840400000

## Commercial data

Packaging Unit	5
EAN code	4033878504840
Weight	0.015 kg
ETIM 7	EC003556
ETIM 8	EC003556
ETIM 9	EC003556
eCl@ss 10.1	27440224
Customs tariff number	85366990

Note:

