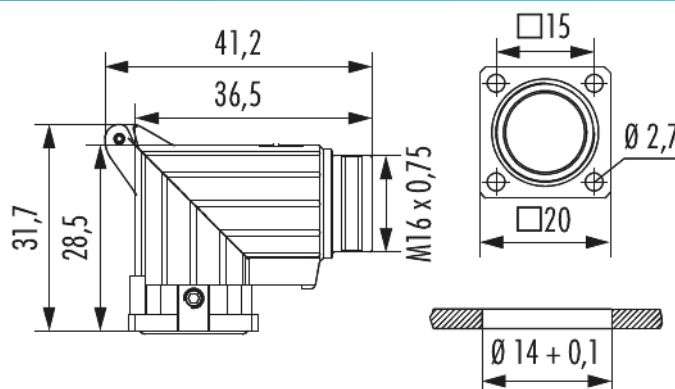


Housing panel connector M16 angled rotatable

Item number 784300000



Technical data

Housing type	Panel angled
Material housing	Aluminium alloy , Copper-Zinc alloy , Zinc Die Cast
Material housing surface	Nickel
Version	right angled
External thread plug-in side	M16 x 0,75
Locking type	Screw
Shield	unshielded
Material seals/o-rings	FKM (FPM) , NBR
Rotatable	300 °
Flange	20 x 20 mm
Hole distance	15 mm
Hole diameter	4 x Ø 2,7 mm
Allen key/Torx	S1,5 , S2
Wrench size (SW1/SW2)	1.5/2 mm
Protection class	IP 67 , IP 69 K
Temperature range	-40 °C to +125 °C



Housing panel connector M16 angled rotatable

Item number 7843000000

Commercial data

Packaging Unit	25
EAN code	4033878504864
Weight	0.00866 kg
ETIM 7	EC003556
ETIM 8	EC003556
ETIM 9	EC003556
eCl@ss 10.1	27440224
Customs tariff number	85366990

Note:

