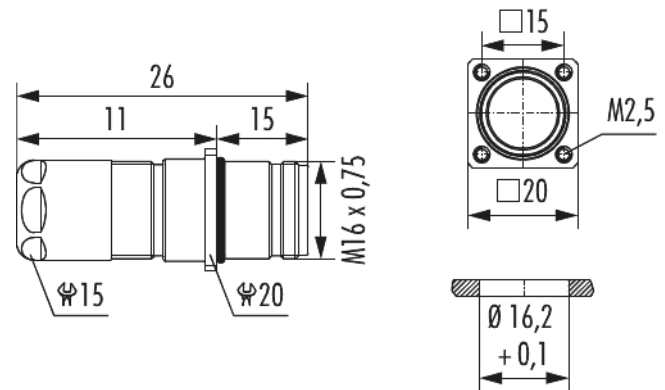


# Housing panel connector M16 strain relief

Item number 7847400000



## Technical data

Material housing	Aluminium alloy , Copper-Zinc alloy , Zinc Die Cast
Material housing surface	Nickel
External thread plug-in side	M16 x 0,75
Locking type	Screw
Shield	shielded
Material seals/o-rings	FKM (FPM) , NBR
Panel hole	$\varnothing 16,2 + 0,1$ mm
Wrench size (SW1/SW2)	15/20 mm
Cable diameter	5 - 9 mm
Protection class	IP 67 , IP 69 K
Temperature range	-40°C to +125°C

# Housing panel connector M16 strain relief

Item number 784740000

## Commercial data

Packaging Unit	25
EAN code	4033878504901
Weight	0.03503 kg
ETIM 7	EC003556
ETIM 8	EC003556
ETIM 9	EC003556
eCl@ss 10.1	27440224
Customs tariff number	85366990

Note:

