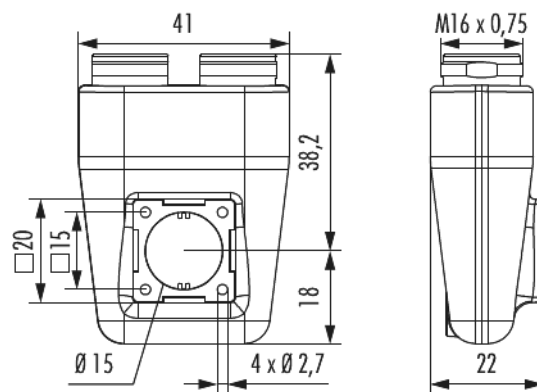


TWINTUS M16/M16

Item number 784800001



Technical data

Housing type	TWINTUS
Material housing	Zinc Die Cast
Material housing surface	Nickel
Version	M16 / M16
External thread plug-in side	M16 x 0,75
Locking type	Screw
Shield	unshielded
Seal type	Seal
Material seals/o-rings	NBR
Flange	20 x 20 mm
Hole distance	15 mm
Hole diameter	4 x Ø 2,7 mm
Temperature range	-40°C to +125°C
Protection class	IP 67 , IP 69 K

TWINTUS M16/M16

Item number 784800001

Commercial data

Packaging Unit	5
EAN code	4033878504925
Weight	0.056 kg
ETIM 7	EC003556
ETIM 8	EC003556
ETIM 9	EC003556
Customs tariff number	85366990

Note:

