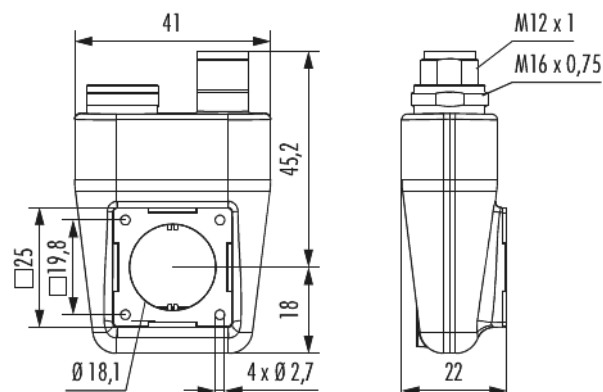


# TWINTUS M16/M12

Item number 7848300000



## Technical data

Housing type	TWINTUS
Material housing	Aluminium alloy , Copper-Zinc alloy , Zinc Die Cast
Material housing surface	blank
Version	M16 / M12
External thread plug-in side	M12 x 1 , M16 x 0,75
Locking type	Screw
Shield	unshielded
Seal type	Seal
Material seals/o-rings	FKM (FPM) , NBR
Flange	25 x 25 mm
Hole distance	19.8 mm
Hole diameter	4 x Ø 2,7 mm
Temperature range	-40 °C to +125 °C
Protection class	IP 67 , IP 69 K

# TWINTUS M16/M12

Item number 7848300000

## Commercial data

Packaging Unit	5
EAN code	4033878505007
Weight	0.102 kg
ETIM 7	EC003556
ETIM 8	EC003556
ETIM 9	EC003556
eCl@ss 10.1	27440224
Customs tariff number	85366990

Note:

