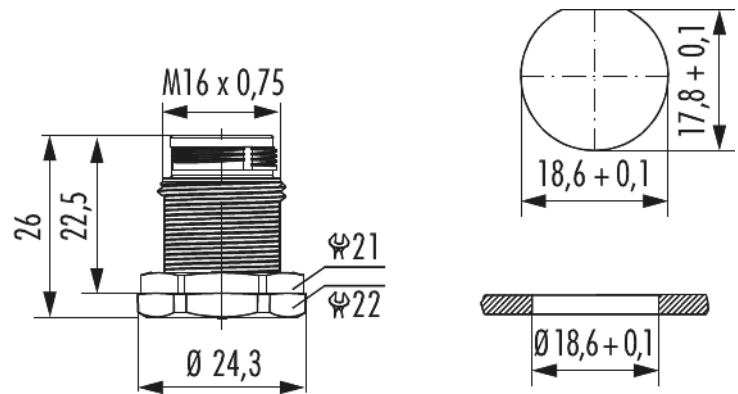


Housing panel connector M16 single hole mounting

Item number 785000000



Technical data

Material housing	Aluminium alloy , Copper-Zinc alloy , Zinc Die Cast
Material housing surface	Nickel
Installation type	Rear wall
External thread plug-in side	M16 x 0,75
Locking type	Screw
Shield	unshielded
Material seals/o-rings	FKM (FPM) , NBR
Panel hole	Ø 18,6 + 0,1 mm
Wrench size (SW1/SW2)	22/21 mm
Protection class	IP 67 , IP 69 K
Temperature range	-40°C to +125°C



Housing panel connector M16 single hole mounting

Item number 7850000000

Commercial data

Packaging Unit	25
EAN code	4033878505038
Weight	0.02291 kg
ETIM 7	EC003556
ETIM 8	EC003556
ETIM 9	EC003556
eCl@ss 10.1	27440224
Customs tariff number	85366990

Note:

