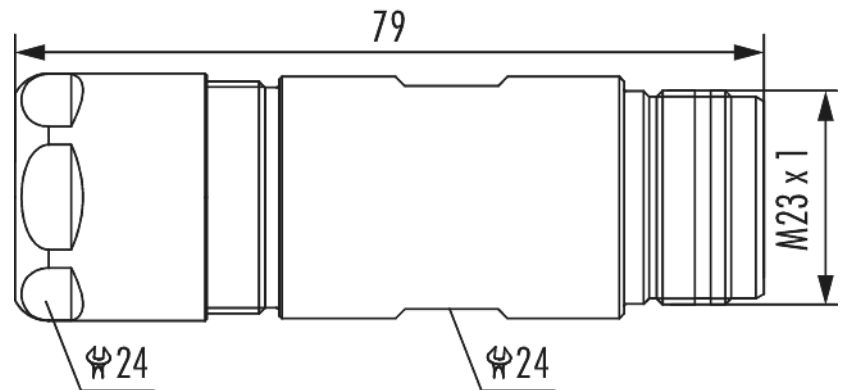


Housing coupler connector M23 RJ45

Item number 7R20408000



Technical data

Housing type	Coupler
Material housing	brass , Zinc Die Cast
Material housing surface	Nickel
Version	Screw
External thread plug-in side	M23 x 1
Internal thread plug-in side	-
Locking type	Screw
Shield	unshielded
Seal type	O-Ring
Material seals/o-rings	FKM (FPM) , NBR
Allen key/Torx	-
Wrench size (SW1/SW2)	24/24 mm
Cable diameter	3 - 7 mm
Length (L)	79 mm
Temperature range	-40 °C to +125 °C
Protection class	IP 67 , IP 69 K

Housing coupler connector M23 RJ45

Item number 7R20408000

suitable contact inserts

7MRJ450007 , A7RJ-081M41 , A7RJ-081M6A , A7RJ-821M51

Housing coupler connector M23 RJ45

Item number 7R20408000

Commercial data

Packaging Unit	5
EAN code	4033878505076
Weight	0.10656 kg
ETIM 7	EC003556
ETIM 8	EC003556
ETIM 9	EC003556
eCl@ss 10.1	27440224
Customs tariff number	85366990

Note:

