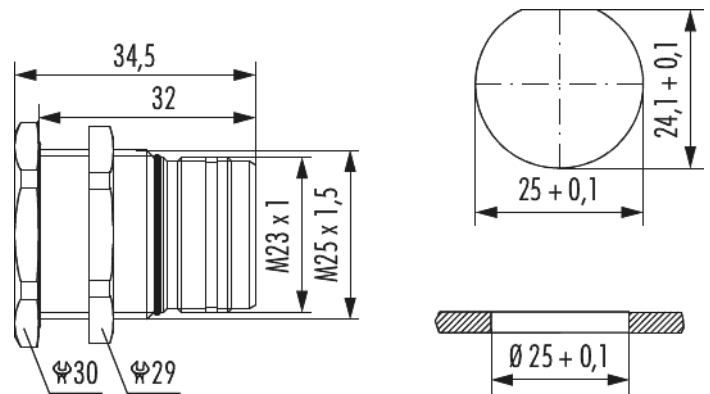


Housing panel connector M23 RJ45 rear wall

Item number 7R50008000



Technical data

Material housing	brass , Zinc Die Cast
Material housing surface	Nickel
Insert	RJ45
Installation type	Rear wall
Version	-
External thread (AG)	M25 x 1,5
External thread plug-in side	M23 x 1
Internal thread plug-in side	-
Locking type	Screw
Shield	unshielded
Seal type	O-Ring
Material seals/o-rings	FKM (FPM) , NBR
Coding position	
Panel hole	Ø 25 + 0,1 mm
Drill form	D 24,1 + 0,1 mm, D Ø 25 + 0,1 mm
Flange	- mm

Housing panel connector M23 RJ45 rear wall

Item number 7R50008000

Hole diameter	- mm
Length (L)	34.5 mm
Allen key/Torx	-
Wrench size (SW1/SW2)	30/29 mm
Protection class	IP 67 , IP 69 K
Temperature range	-40°C to +125°C
suitable contact inserts	7MRJ450007 , A7RJ-081M41 , A7RJ-081M6A , A7RJ-821M51

Housing panel connector M23 RJ45 rear wall

Item number 7R50008000

Commercial data

Packaging Unit	5
EAN code	4033878505151
Weight	0.05059 kg
ETIM 7	EC003556
ETIM 8	EC003556
ETIM 9	EC003556
eCl@ss 10.1	27440224
Customs tariff number	85366990

Note:

