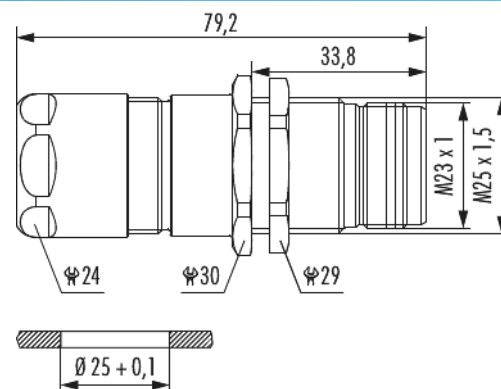


# Housing panel connector M23 RJ45 single hole mounting

Item number 7R52408000



## Technical data

Material housing	brass , Zinc Die Cast
Material housing surface	Nickel
Insert	RJ45
Installation type	Rear wall
External thread plug-in side	M23 x 1
Locking type	Screw
Shield	unshielded
Seal type	O-Ring
Material seals/o-rings	FKM (FPM) , NBR
Panel hole	Ø 25 + 0,1 mm
Length (L)	79.2 mm
Wrench size (SW1/SW2/SW3)	24/30/29 mm
Cable diameter	3 - 7 mm
Protection class	IP 67 , IP 69 K
Temperature range	-40 °C to +125 °C
suitable contact inserts	7MRJ450007 , A7RJ-081M41 , A7RJ-081M6A , A7RJ-821M51

# Housing panel connector M23 RJ45 single hole mounting

Item number 7R52408000

## Commercial data

Packaging Unit	5
EAN code	4033878505168
Weight	0.11275 kg
ETIM 7	EC003556
ETIM 8	EC003556
ETIM 9	EC003556
eCl@ss 10.1	27440224
Customs tariff number	85366990

Note:

