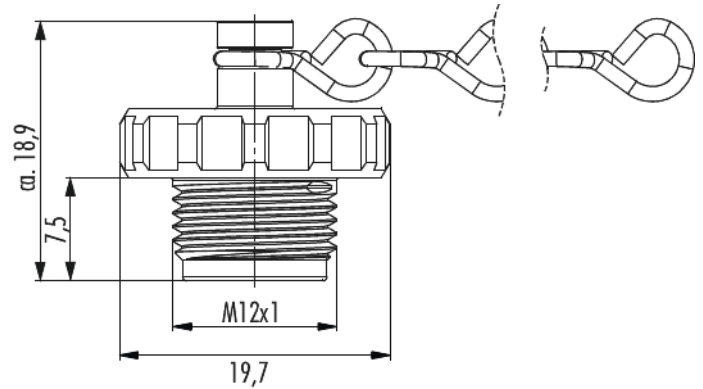


# Protective cap M12 Power

Item number A712-70109S0705



## Technical data

Shape	round
Seal type	
Suitable for	Circular connector with internal thread , M12 Power
Length of chain/rope	70 mm
Material seals/o-rings	-
Temperature range	-40°C to +125°C
Locking type	Screw
Protection class	IP 67 , IP 69 K
Material	Nickel-plated brass

# Protective cap M12 Power

Item number A712-70109S0705

## Commercial data

Packaging Unit	5
EAN code	4033878010662
Weight	0.01434 kg
ETIM 7	EC002314
ETIM 8	EC002314
ETIM 9	EC002314
eCl@ss 10.1	27440204
Customs tariff number	74198090

Note:

