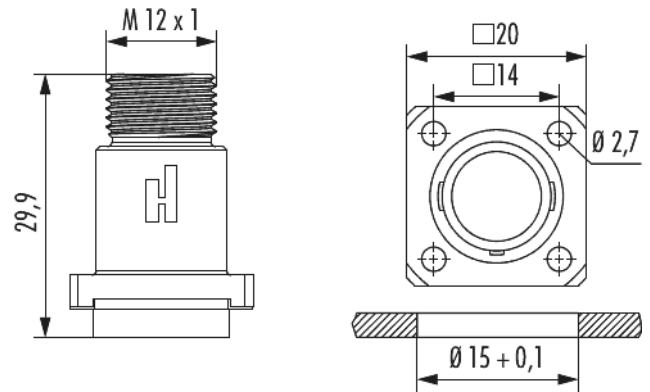


Housing panel connector M12 Power - K, L

Item number A712-7K4000000



Technical data

Material housing	Copper-Zinc alloy
Material housing surface	Nickel
Coding	K, L
External thread plug-in side	M12 x 1
Locking type	Screw
Shield	unshielded
Material seals/o-rings	NBR
Flange	20 x 20 mm
Hole distance	14 mm
Hole diameter	4 x Ø 2,7 mm
Protection class	IP 67, IP 69 K
Temperature range	-40 °C to +125 °C
suitable contact inserts	A712-7K03941101, A712-7L03941101



Housing panel connector M12 Power - K, L

Item number A712-7K4000000

Commercial data

Packaging Unit	5
EAN code	4033878505359
Weight	0.01447 kg
ETIM 7	EC003556
ETIM 8	EC003556
ETIM 9	EC003556
eCl@ss 10.1	27440224
Customs tariff number	85366990

Note:

max. operating temperature at max. operating time: + 100 ° C at 20 000h / / + 125 ° C at 600h

