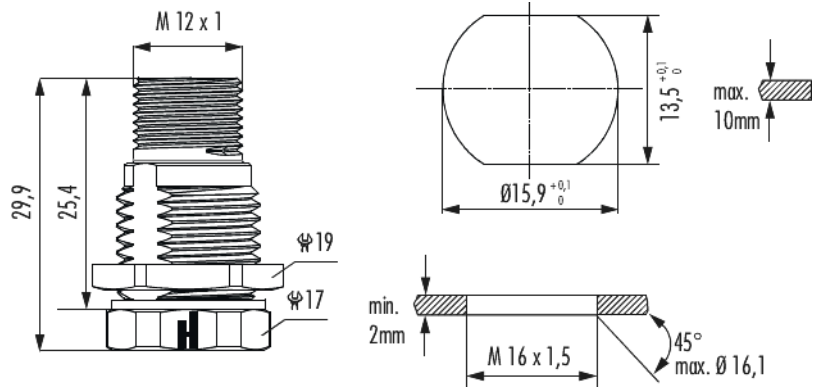


Housing panel connector M12 Power - K, L

Item number A712-7K5000000



Technical data

| | |
|------------------------------|----------------------------------|
| Material housing | Copper-Zinc alloy |
| Material housing surface | Nickel |
| Coding | K, L |
| Installation type | Rear wall |
| External thread (AG) | M 16 x 1,5 |
| External thread plug-in side | M 12 x 1 |
| Locking type | Screw |
| Shield | unshielded |
| Material seals/o-rings | FKM (FPM) |
| Panel hole | M 16,2 + 0,1 mm |
| Wall thickness | max. 10 mm |
| Protection class | IP 67, IP 69 K |
| Temperature range | -40 °C to +125 °C |
| suitable contact inserts | A712-7K03941101, A712-7L03941101 |

Housing panel connector M12 Power - K, L

Item number A712-7K5000000

Commercial data

| | |
|-----------------------|---------------|
| Packaging Unit | 5 |
| EAN code | 4033878505380 |
| Weight | 0.01995 kg |
| ETIM 7 | EC003556 |
| ETIM 8 | EC003556 |
| ETIM 9 | EC003556 |
| eCl@ss 10.1 | 27440224 |
| Customs tariff number | 85366990 |

Note:

max. operating temperature at max. operating time: + 100 ° C at 20 000h / / + 125 ° C at 600h

