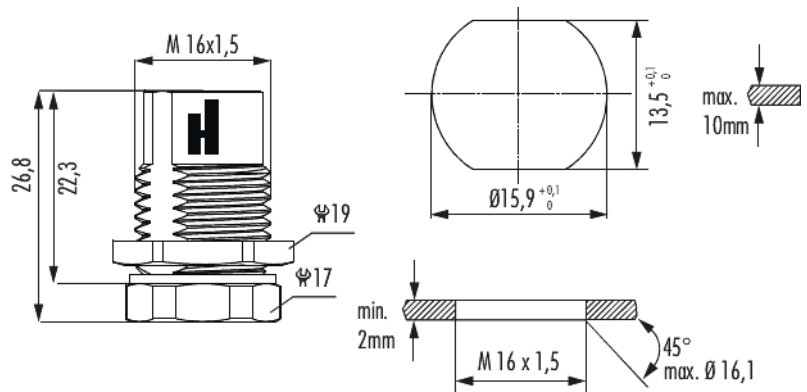


Housing panel connector M12 Power - K, L

Item number A712-7K51000000



Technical data

Material housing	Copper-Zinc alloy
Material housing surface	Nickel
Coding	K, L
Installation type	Rear wall
External thread (AG)	M20 x 1,5
Internal thread plug-in side	M12 x 1
Locking type	Screw
Shield	unshielded
Material seals/o-rings	FKM (FPM)
Drill form	DD 13,5 + 0,1 mm, DD $\phi 15,9 + 0,1$ mm, DD-Form mm
Wall thickness	max. 8 mm
Chamfer	45° downward oriented
Wrench size (SW1/SW2)	17/19 mm
Protection class	IP 67, IP 69 K
Temperature range	-40°C to +125°C
suitable contact inserts	A712-7K03941102, A712-7L03941102



Housing panel connector M12 Power - K, L

Item number A712-7K5100000

Commercial data

Packaging Unit	5
EAN code	4033878000960
Weight	0.01434 kg
ETIM 7	EC003556
ETIM 8	EC003556
ETIM 9	EC003556
eCl@ss 10.1	27440224
Customs tariff number	85366990

Note:

max. operating temperature at max. operating time: + 100 ° C at 20 000h / / + 125 ° C at 600h

