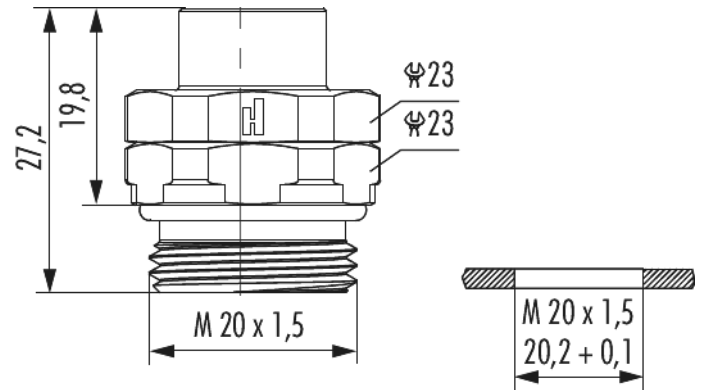


# Housing panel connector M12 Power - S, T

Item number A712-7S44200000



## Technical data

Material housing	Copper-Zinc alloy
Material housing surface	Nickel
Coding	S , T
Installation type	Front wall
External thread (AG)	M20 x 1,5
Internal thread plug-in side	M12 x 1
Locking type	Screw
Shield	unshielded
Material seals/o-rings	FKM (FPM)
Wrench size (SW1/SW2)	23/23 mm
Protection class	IP 67 , IP 69 K
Temperature range	-40°C to +125°C
suitable contact inserts	A712-7S05931106 , A712-7T05904106

# Housing panel connector M12 Power - S, T

Item number A712-7S44200000

## Commercial data

Packaging Unit	5
EAN code	4033878505571
Weight	0.03424 kg
ETIM 7	EC003556
ETIM 8	EC003556
ETIM 9	EC003556
eCl@ss 10.1	27440224
Customs tariff number	85366990

Note:

