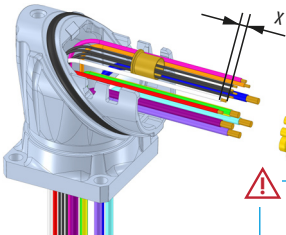
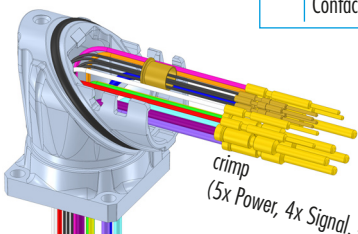


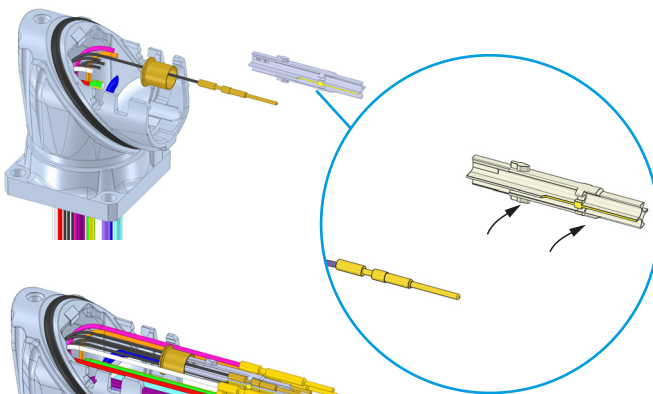
Hybrid Connector Typ 2

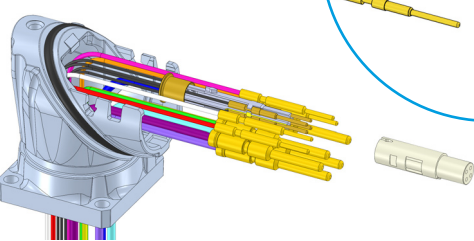
1. 

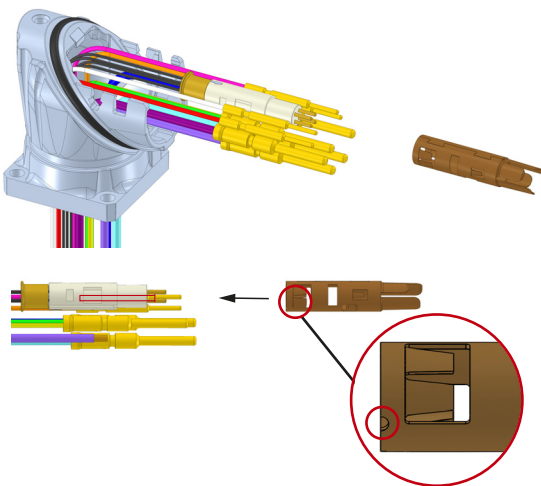
⚠

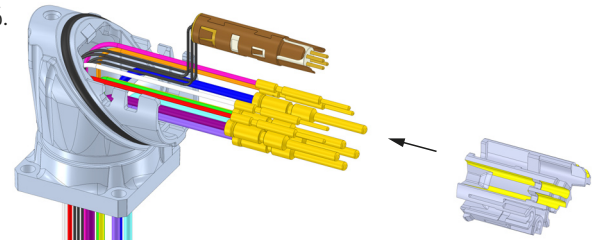
x Kontakt \varnothing 0,8 mm = max. 4 mm stripping length
 x Kontakt \varnothing 1 mm = max. 4 mm stripping length
 Kontakt \varnothing 2 mm = max. 7 mm stripping length

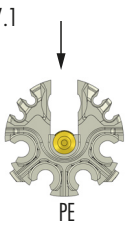
2.  crimp
(5x Power, 4x Signal, 4x Ethernet)

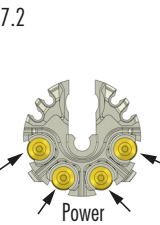
3. 

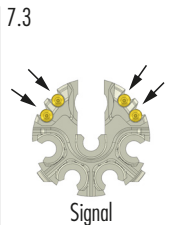
4. 

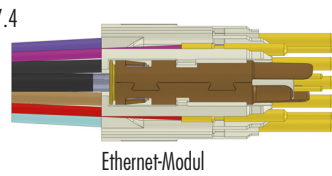
5. 

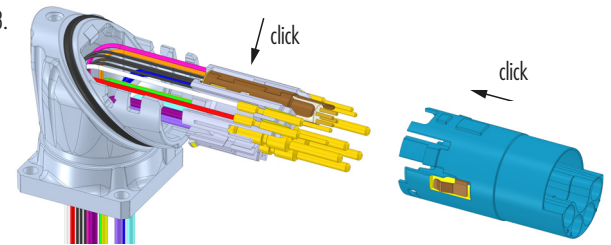
6. 

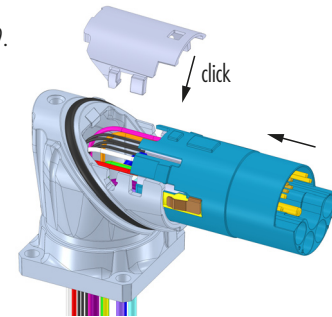
7.1  PE

7.2  Power

7.3  Signal

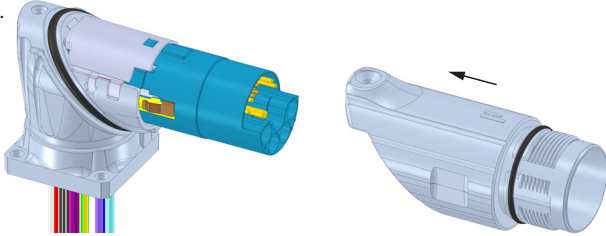
7.4  Ethernet-Modul

8.  click

9.  click

Hybrid Connector Typ 2

11.



12.

