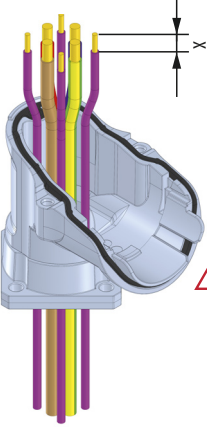
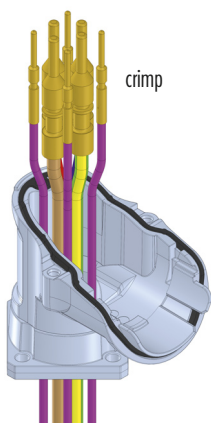


Assembly Instructions

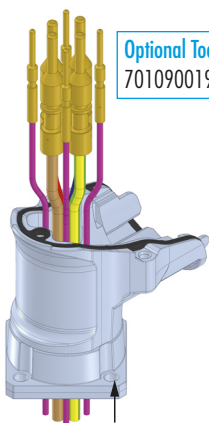
Right Angle Panel Connector

1. 

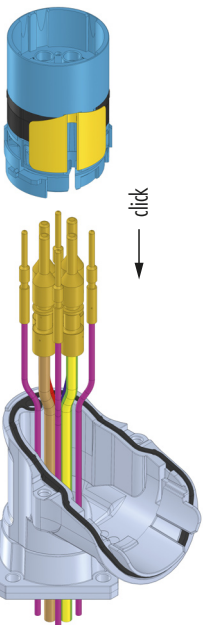
⚠
x
Contact \varnothing 2 mm = max. 7 mm stripping length
Contact \varnothing 3,6 mm = max. 10 mm stripping length


2.  crimp


Optional Tool:
7010900194

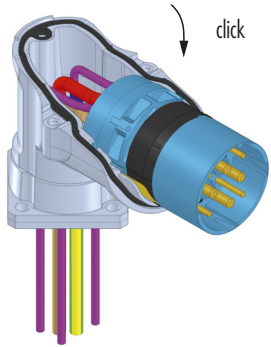
 90°

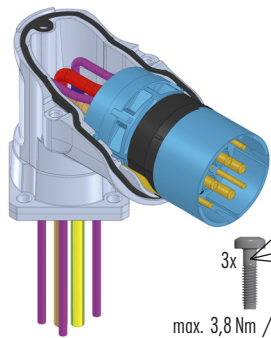
TIP:
mount screw No. 4 now

3.  click

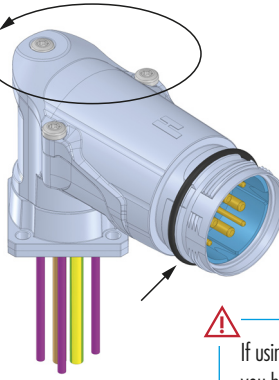




4.  click

5.  TORX: T20

3x
max. 3,8 Nm // 500 rev/min

6.  327°

⚠
If using TWILOCK-S plug
you have to remove O-Ring.